

MAX GARDEN

A FAVOURITE AMONG TRANSPORT TROLLEYS

EXACT
I BUTIK



**This trolley has extra equipment consisting of locks and handles with advertising*

> MAX GARDEN

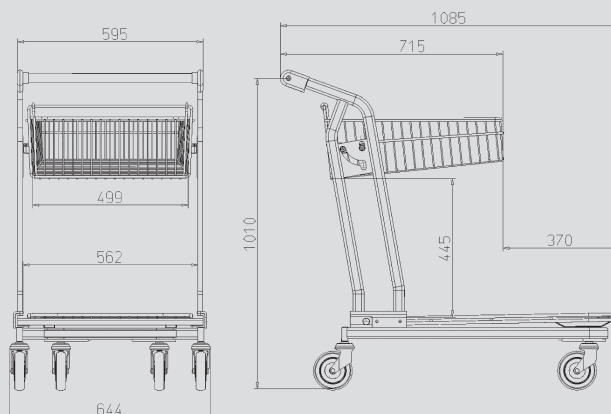
Max is perfect for both heavy boxes and larger packages. Its flexible design of oval tubing in combination with its collapsible basket makes it a highly popular favourite among transport trolleys.

This trolley is equally suitable for a DIY market or a garden centre. It is made to handle demanding loads for many years.

Due to its compact shape and short nesting length, there is space for many trolleys on a small surface.

> PRODUCT INFORMATION

- Wheel: 125 mm precision ball bearings
- Nesting length: 20 cm
- 10 nested trolleys: 288.5 cm
- Max. load: 200kg



| | |
|-----------------|-------------------|
| MODEL | MAX GARDEN |
| ITEM NO. | 203045 |