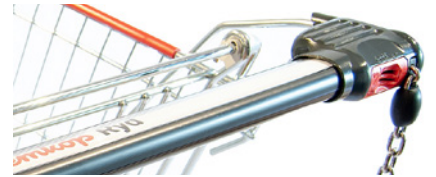


# SCANDINAVIA 100L

**EXACT**  
I BUTIK



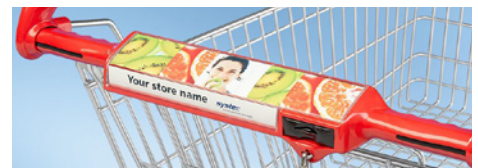
**ACCESSORIES:**  
Ergogrip Oval



**ACCESSORIES:**  
RelaXT handle



**ACCESSORIES:**  
Trolleyomatic handle



## > SCANDINAVIA 100L

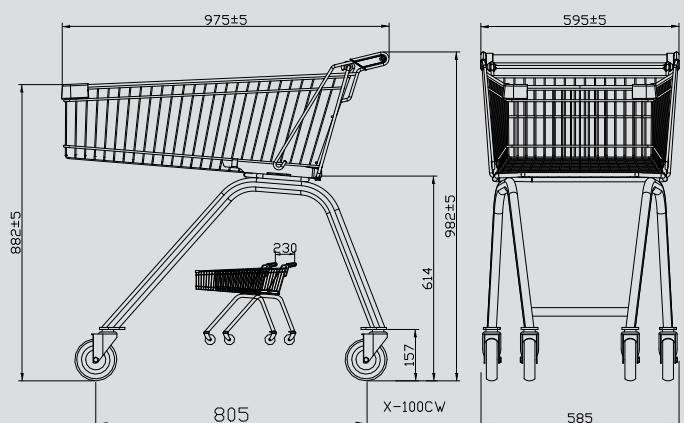
Scandinavia is our own line of shopping trolleys produced in accordance with the specific requirements for ergonomics, quality and durability that reign in the Scandinavian market.

What characterises the Scandinavia line is that it is broader and shallower in comparison with trolleys produced for the rest of the European market.

Scandinavia 100L is delivered bright zinc-plated, with a round handle, handle sides and protective corners in antracite-grey and with transparent plastic mouldings, to protect the basket edge against oxidation.

Wheel with 125 mm precision ball bearings and wheel roller in TPE, for best possible strength and comfort.

A number of accessories are available such as another colour for plastic details and handles, Euroloc-shopping trolley lock, Ergogrip-, Trolleyomatic-, RelaXT handle, holder for scanner and coffee mug.



<b>MODEL</b>	SCANDINAVIA 100L
<b>ITEM NO.</b>	S100