

SCANDINAVIA 130L

EXACT
I BUTIK



ACCESSORIES:
Safety belt



ACCESSORIES:
Ergogrip oval



ACCESSORIES:
RelaXT handle



ACCESSORIES:
Trolleymatic handle



> SCANDINAVIA 130L

Scandinavia is our own line of shopping trolleys produced in accordance with the specific requirements for ergonomics, quality and durability that reign in the Scandinavian market.

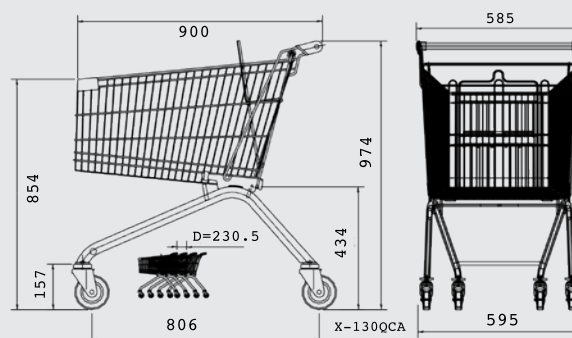
What characterises the Scandinavia line is that it is broader and shallower in comparison with trolleys produced for the rest of the European market.

Scandinavia 130L is delivered bright zinc-plated, with a round handle, handle sides and protective corners in grey anthracite, and with transparent plastic moulding to protect the basket edge against oxidation. The trolley is by default also equipped with a child seat in matching anthracite.

Wheel with 125 mm precision ball bearings and wheel roller in TPE, for best possible strength and comfort.

A number of accessories are available such as another colour for plastic details and handles, Euroloc shopping trolley lock, safety belt for children, Ergogrip-, Trolleymatic-, RelaXT handles, holder for scanner and coffee mug.

> Scandinavia 130L



MODEL	SCANDINAVIA 130L
ITEM NO.	S130