

# BULK TROLLEY

PERFECT FOR TRANSPORT OF FURNITURE, PARCELS, MM.

**EXACT**  
I BUTIK

## ACCESSORIES

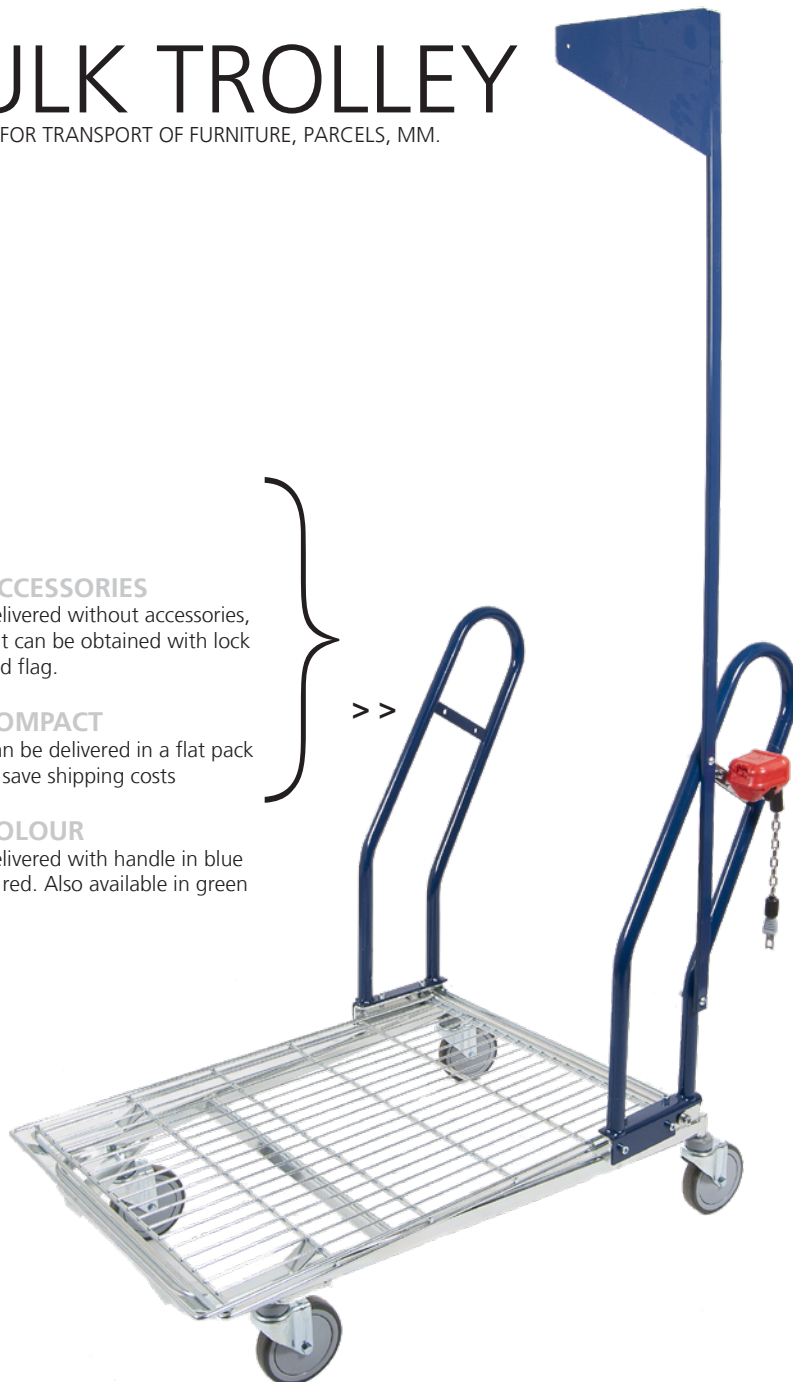
Delivered without accessories, but can be obtained with lock and flag.

## COMPACT

Can be delivered in a flat pack to save shipping costs

## COLOUR

Delivered with handle in blue or red. Also available in green



Bulk trolley in original execution



The bulk trolley is delivered in a flat package for simple handling and in order to save on shipping costs

\*The trolley in the picture has extra equipment

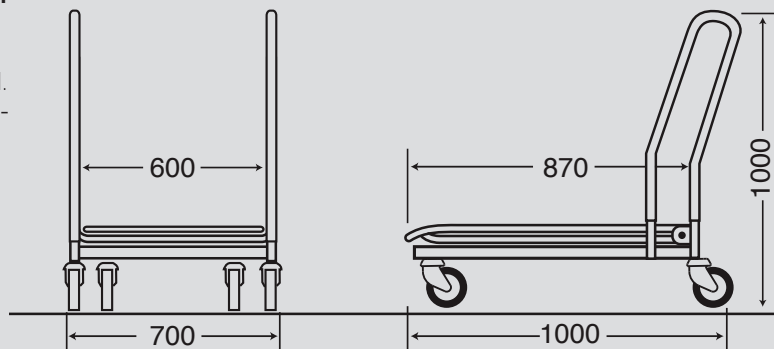
## > BULK TROLLEY

Classic model that is perfect for transport of furniture, parcels, mm.

The trolley is easy to handle even when fully loaded. The handle is available lacquered in two standard colours: red or blue.

## > PRODUCT INFORMATION

- Max. load 200kg.
- Delivered bright zinc plated.
- Wheel: 125 mm.



MODEL	BLUE HANDLE	RED HANDLE	GREEN HANDLE
ITEM NO.	113242	113227	113243